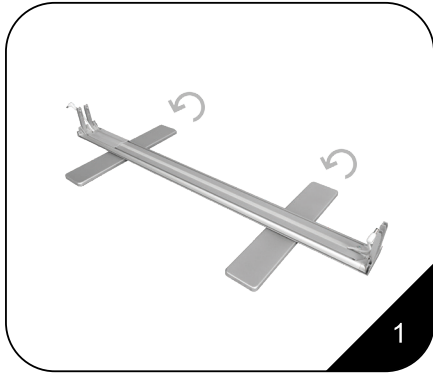
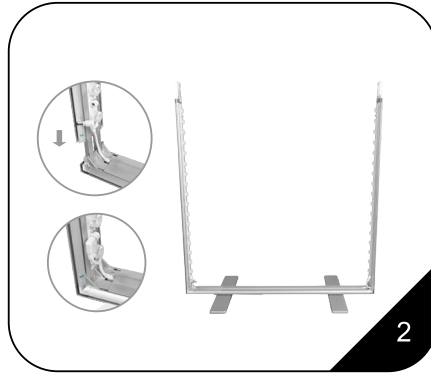


# INSTRUCTION FOR INSTALLATION

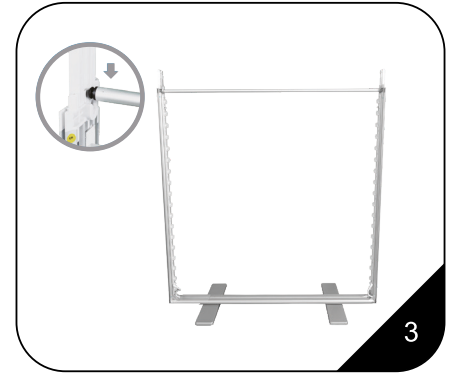
## Display LED Lightbox Connect



Rotate the feet 90°



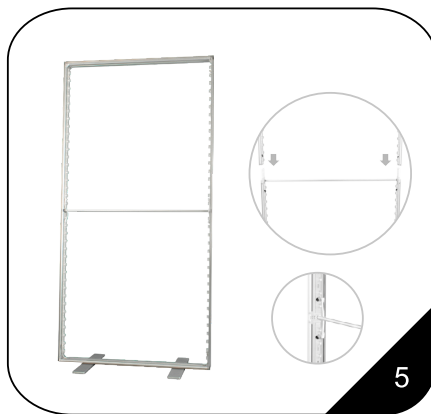
Assemble the frame by connecting the parts with matching numbers & connect wires



Insert the centre pole



Assemble the top half of the frame by connect the parts with matching numbers



Connect the top and bottom and connect centre wires



Connect the cable of the adapter



Attach graphics